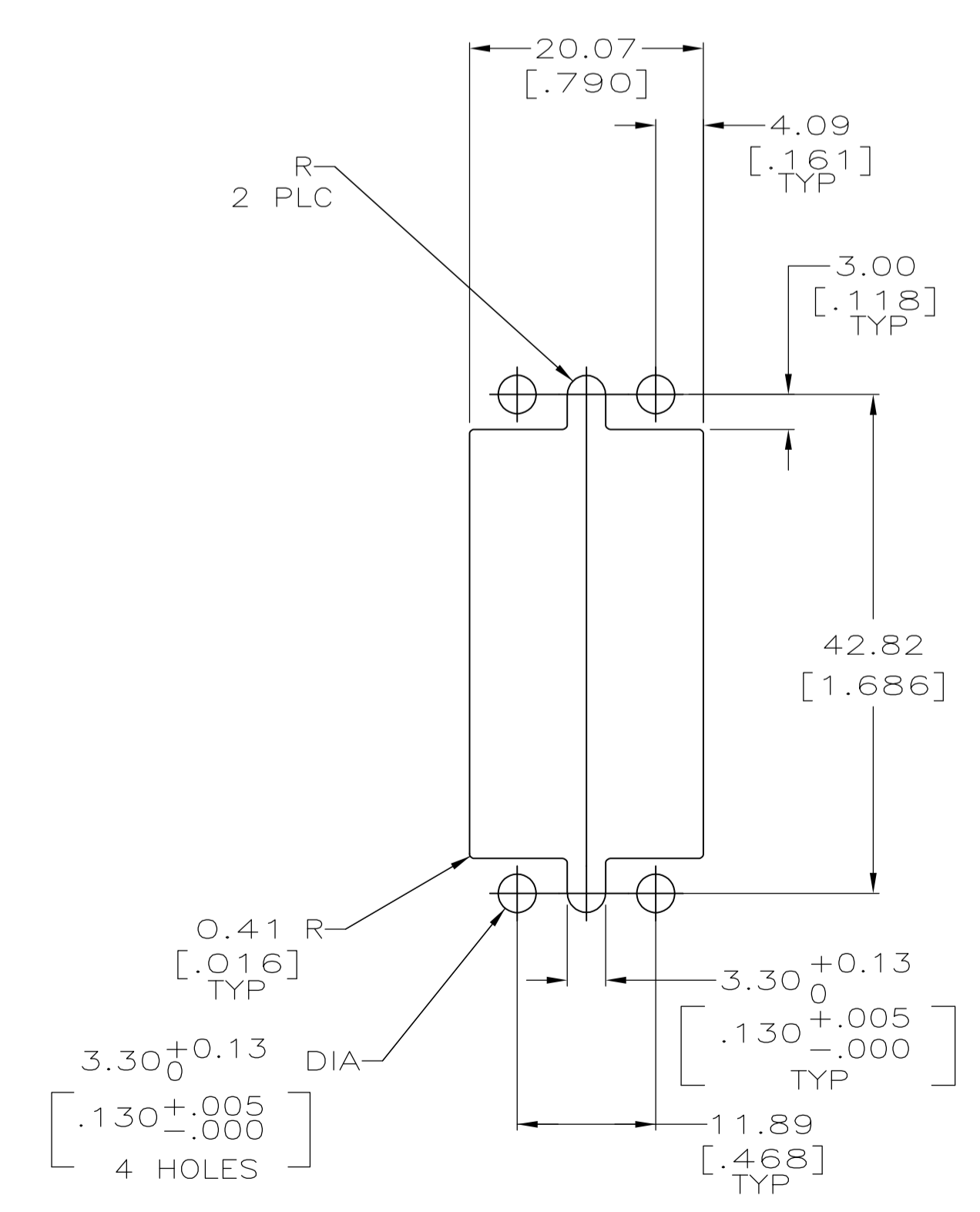
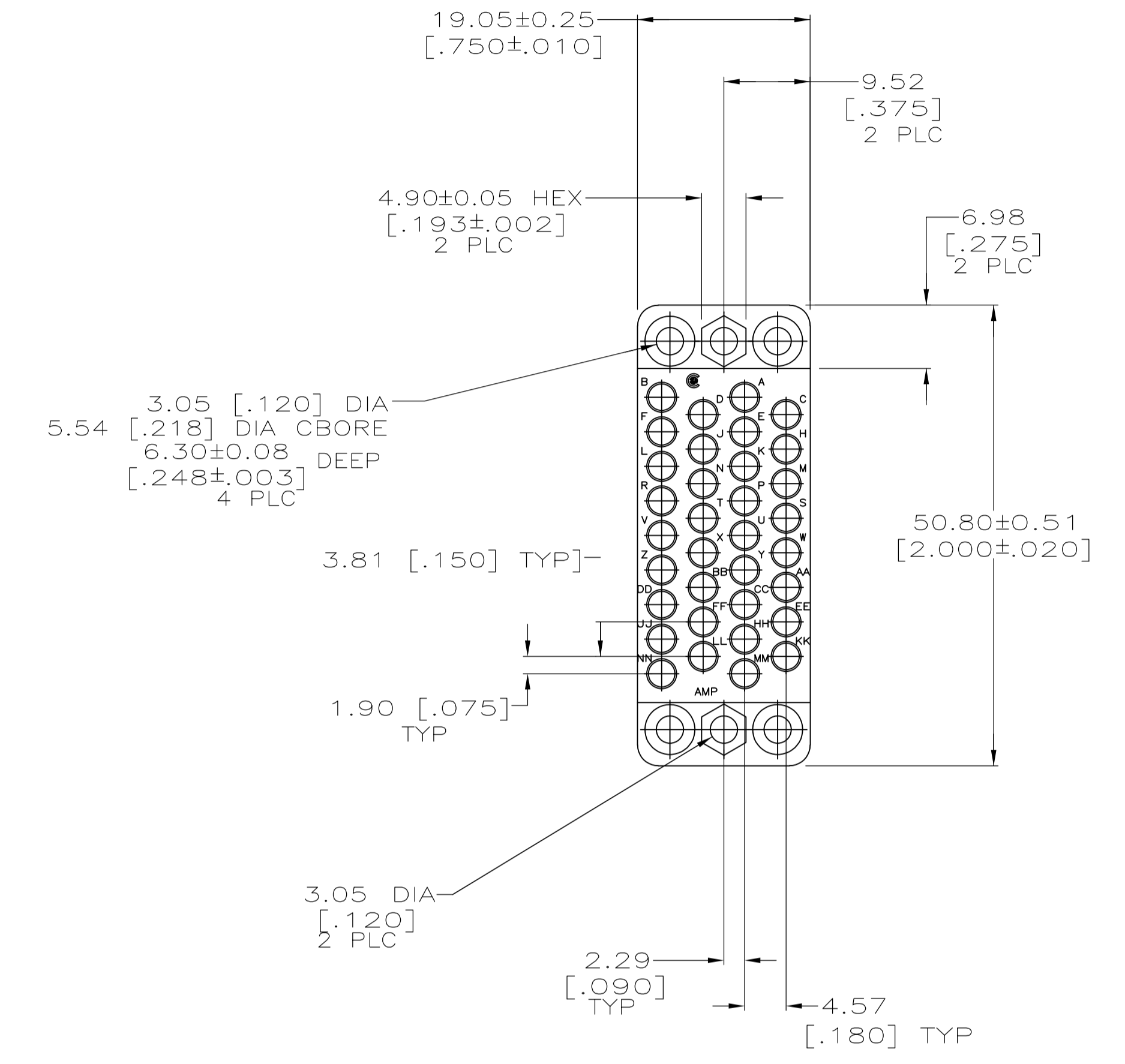
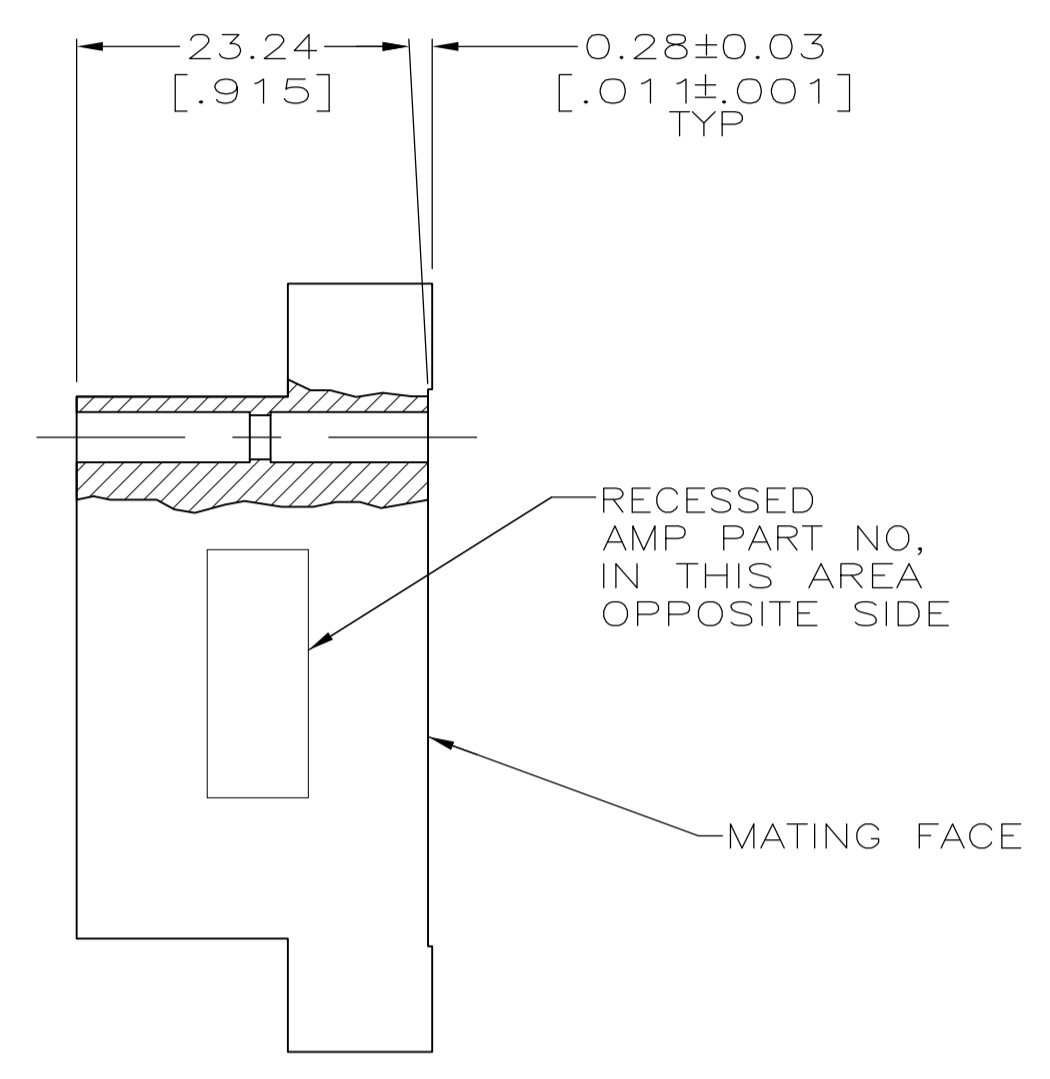
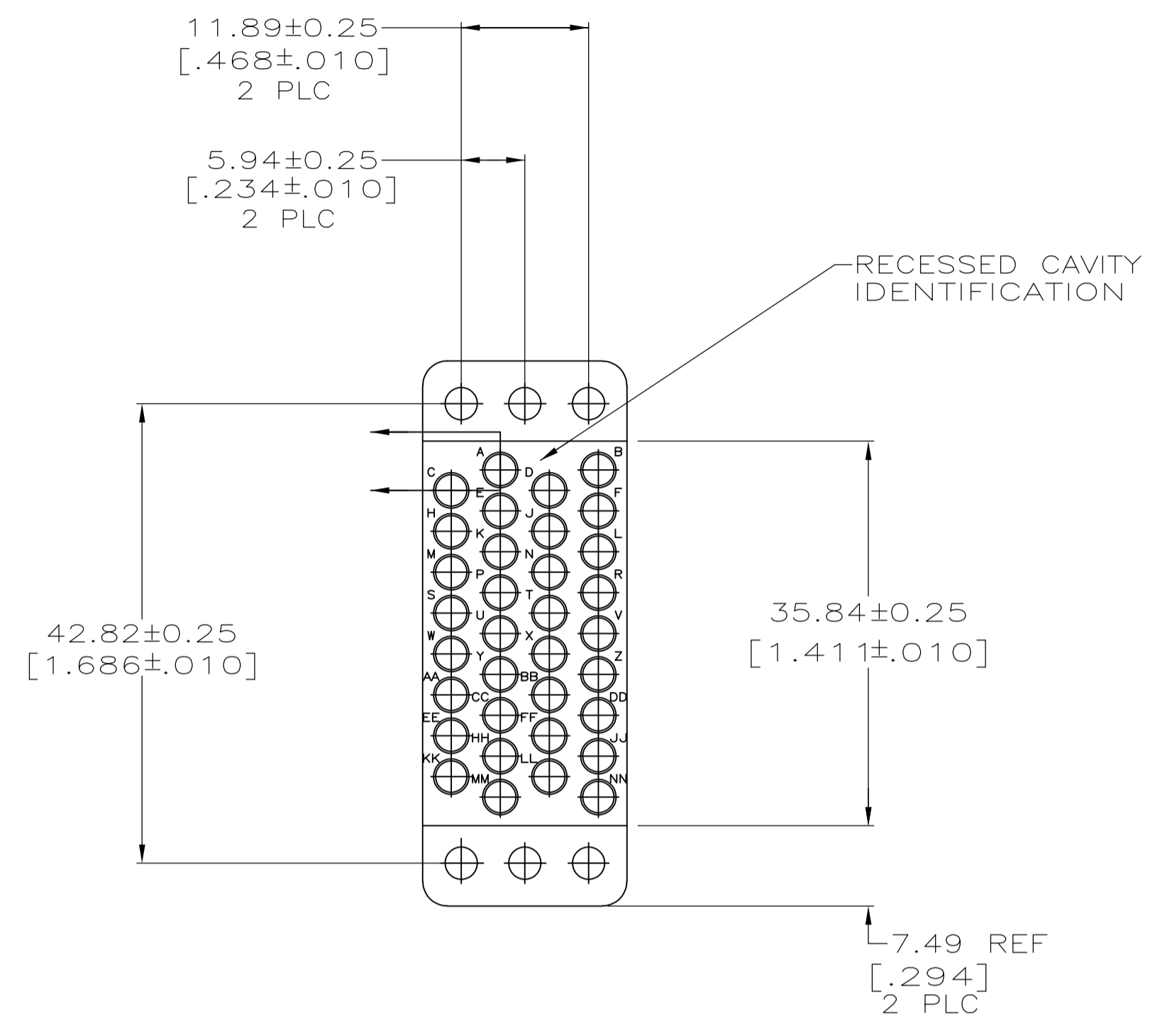


LOC		DIST		REVISIONS			
P	LTR	DESCRIPTION	DATE	DWN	APVD		
A		REVISED PER ECO-07-018540	8/17/07	SS	GS		



RECOMMENDED PANEL CUTOUT

213800-2
213800-1
PART NUMBER

THIS DRAWING IS A CONTROLLED DOCUMENT.		DIN D. BROCKWAY 08-11-94		Tyco Electronics Corporation	
DIMENSIONS: INCHES		CHK R. STONE 09-08-94		Harrisburg, PA 17105-3608	
TOLERANCES UNLESS OTHERWISE SPECIFIED:		APVD		NAME	
0 PLC ± -	1 PLC ± -	PRODUCT SPEC		HOUSING, PLUG, 34 POSN, MINIATURE, RECTANGULAR M SERIES	
2 PLC ± 0.13 [.005]	3 PLC ± -	APPLICATION SPEC		SIZE CAGE CODE DRAWING NO RESTRICTED TO	
4 PLC ± -	ANGLES ± -	WEIGHT		A1 00779 C=213800	
MATERIAL POLYESTER, BLACK	FINISH -	CUSTOMER DRAWING		SCALE 2:1 SHEET 1 OF 1 REV A	